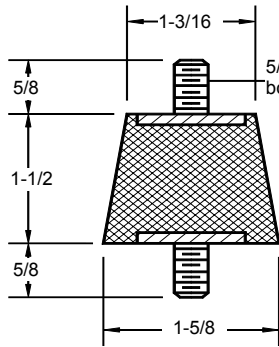
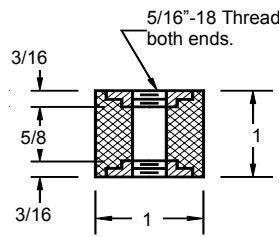


CYLINDRICAL MOUNTS



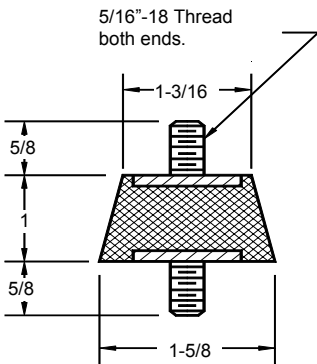
E1

Compression
60 lbs.
3/16 in.



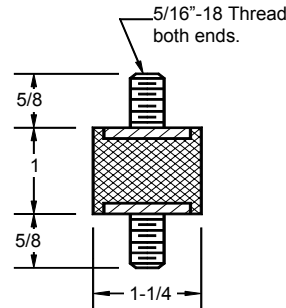
E4

Compression Shear
25 lbs. 10 lbs.
1/16 in. 5/32 in.



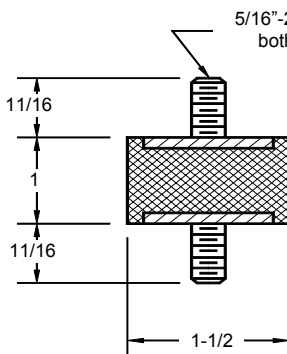
E2

Compression
100 lbs.
5/32 in.



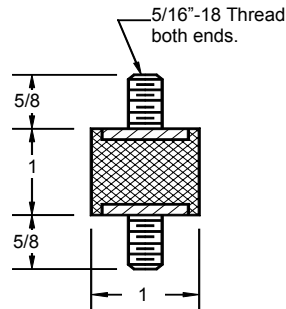
E1210

Compression Shear
65 lbs. 15 lbs.
1/8 in. 5/32 in.



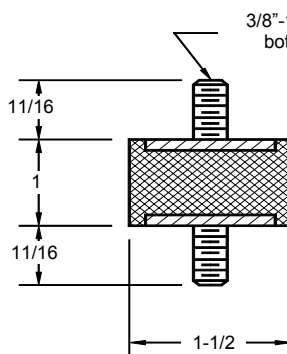
E3

Compression Shear
135 lbs. 40 lbs.
5/32 in. 1/4 in.



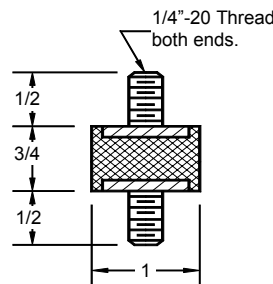
E5

Compression Shear
40 lbs. 10 lbs.
1/8 in. 5/32 in.



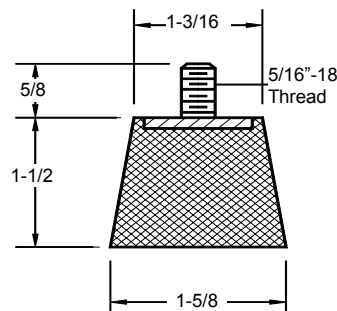
E3-1

Compression Shear
135 lbs. 40 lbs.
5/32 in. 1/4 in.



E6

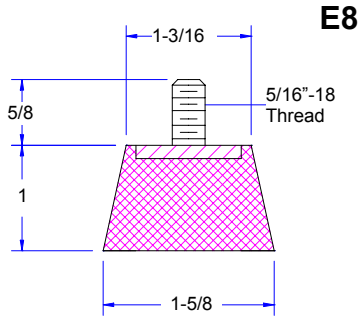
Compression Shear
50 lbs. 10 lbs.
1/8 in. 1/8 in.



E7

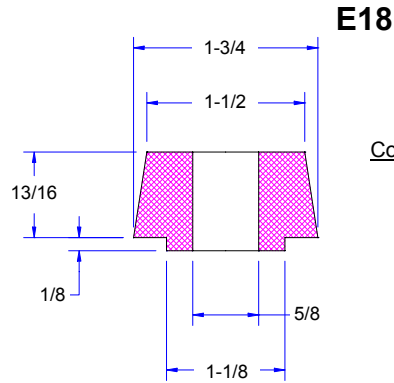
Compression
60 lbs.
3/16 in.

CYLINDRICAL MOUNTS



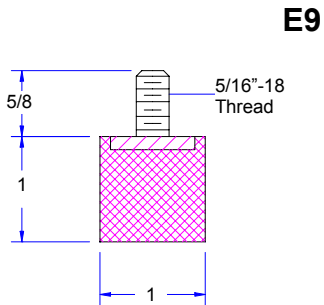
E8

Compression
100 lbs.
5/32 in.



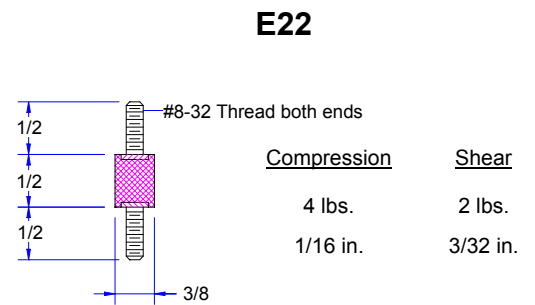
E18

Compression
250 lbs.
5/32 in.



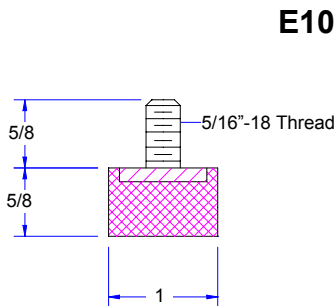
E9

Compression
40 lbs.
1/8 in.



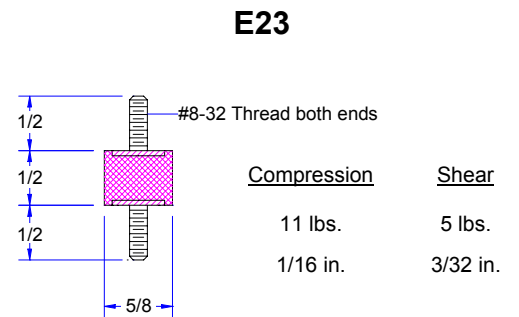
E22

Compression Shear
4 lbs. 2 lbs.
1/16 in. 3/32 in.



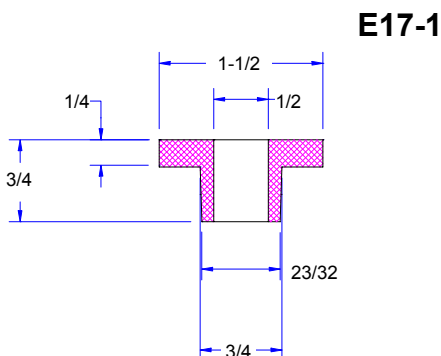
E10

Compression
60 lbs.
3/32 in.

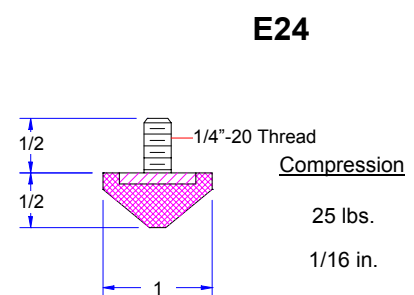


E23

Compression Shear
11 lbs. 5 lbs.
1/16 in. 3/32 in.



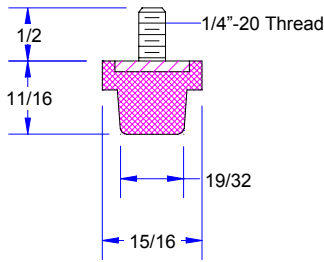
E17-1



E24

Compression
25 lbs.
1/16 in.

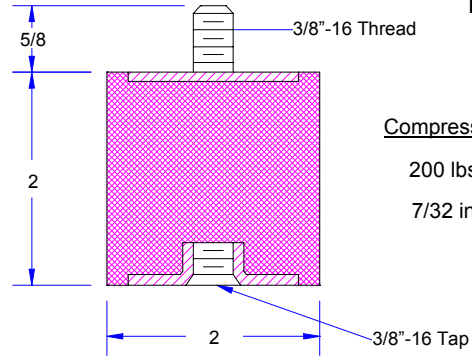
CYLINDRICAL MOUNTS



E25

Compression

25 lbs.
1/16 in.



E31

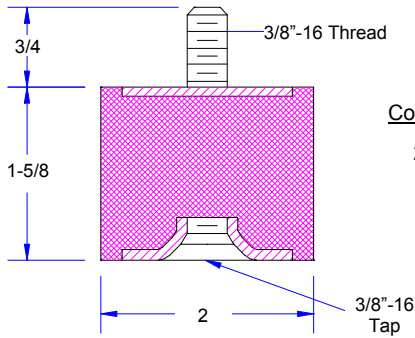
Compression

200 lbs.
7/32 in.

Shear

150 lbs.
1/2 in.

E30



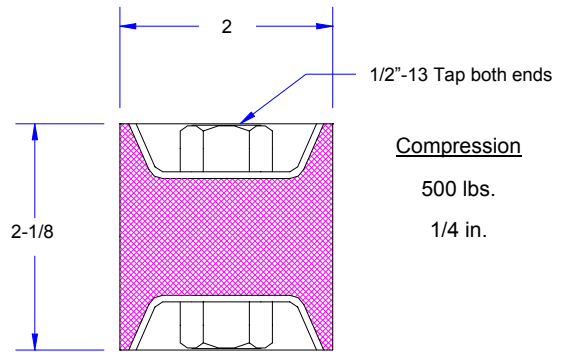
Compression

250 lbs.
5/32 in.

Shear

125 lbs.
1/2 in.

E40



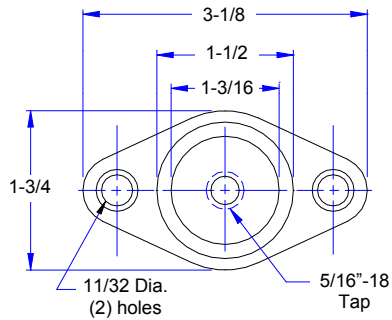
Compression

500 lbs.
1/4 in.

Shear

200 lbs.
1/2 in.

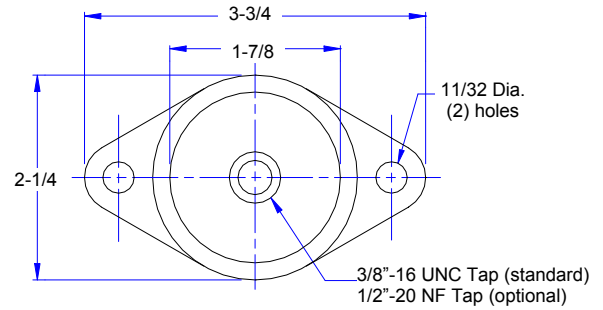
E11



Compression

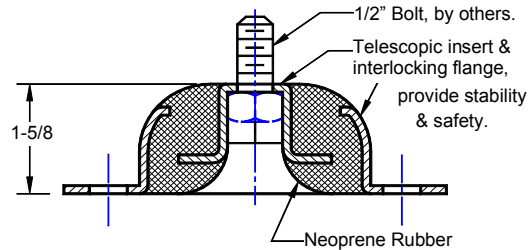
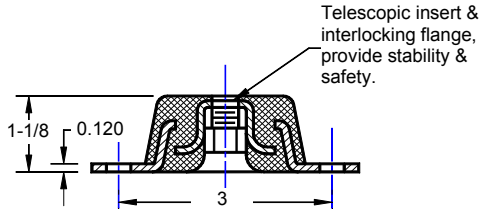
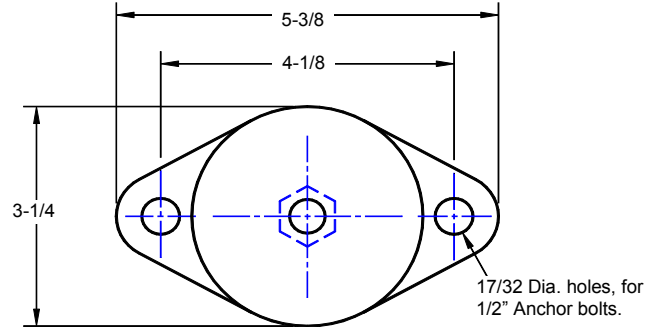
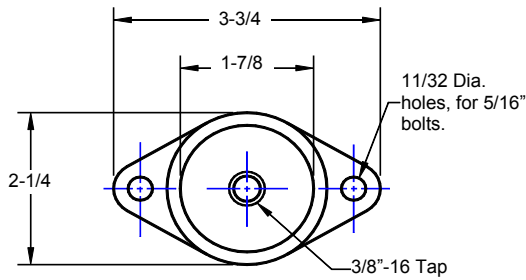
<u>E11-A</u>	<u>E11-B</u>
37.5 lbs.	115 lbs.
0.10 in.	0.10 in.

E12



Compression

<u>E12-A</u>	<u>E12-B</u>	<u>E12-C</u>
100 lbs.	150 lbs.	175 lbs.
1/8 in.	1/8 in.	1/8 in.

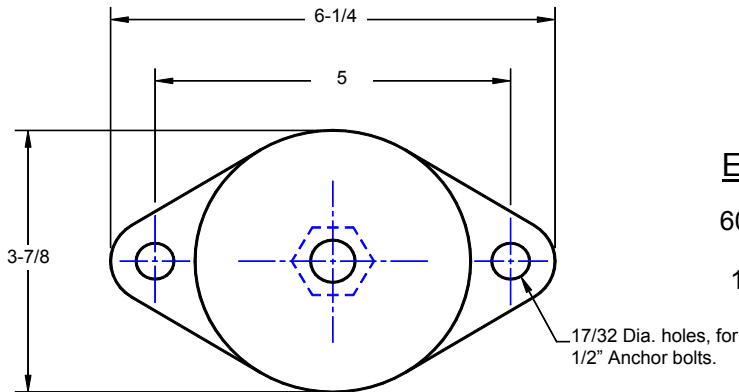


Compression

<u>E13-A</u>	<u>E13-B</u>
150 lbs.	200 lbs.
0.085 in.	0.06 in.

Compression

<u>E14-A</u>	<u>E14-B</u>	<u>E14-C</u>
375 lbs.	700 lbs.	1000 lbs.
1/8 in.	1/8 in.	1/8 in.



Compression

<u>E15-A</u>	<u>E15-B</u>	<u>E15-C</u>
600 lbs.	1100 lbs.	2000 lbs.
1/8 in.	1/8 in.	1/8 in.

