



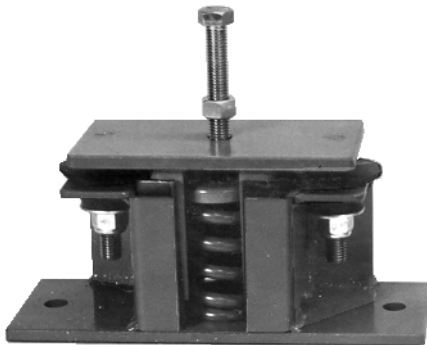
CATALOG NO. 83-A-170-Q

SERIES 630

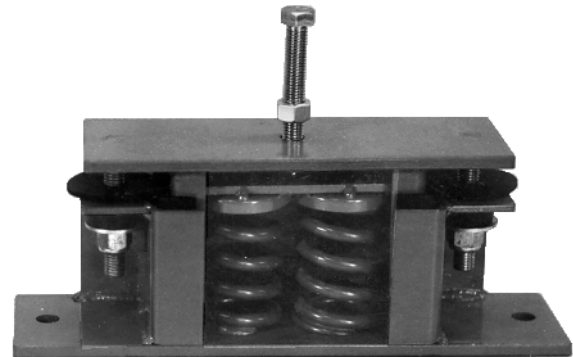
SPRING ISOLATORS

for
SEISMIC ZONE 3 & ZONE 4,
MARINE, & MOBILE APPLICATIONS

Material Specifications
Housings: A-36 Steel
Threaded Parts: Grade 5 Steel
Springs: ASTM-229 & A 401
Elastomer: Neoprene



Type "631"



Type "632"

Extra Strength Housing Design: All welded steel housing with unique structure design provides the extra safety for the seismic, marine and mobile applications.

Superior Isolation Efficiency: Series "630" spring isolator provides static deflection of 1 inch. As a result, it effectively reduces the vibration and improves the over all equipment performance.

Effective Noise Reduction: The resilient washers interrupt the structure-borne noise transmission paths to prevent noise amplifications caused by sounding-board effect.

Seismic Applications: Designs meet UBC, BOCA, and worldwide codes.

Laterally Stable: Elastomer cushioned housing provides damping and controls excessive horizontal movement.

Vertically Secured: Vertical restraints with resilient grommets prevent the housing from being pulled out from the anchored base.

Easy to Install: Built-in leveling bolt eliminates shimming in all applications, and saves installation cost.

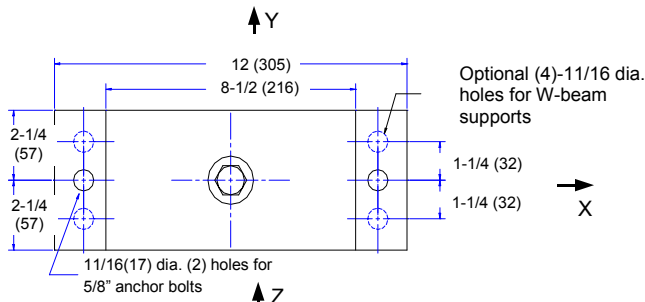
Variations Available: Internal level adjustment, high strength leveling bolt and special modifications are available.

ACE MOUNTINGS CO., INC.

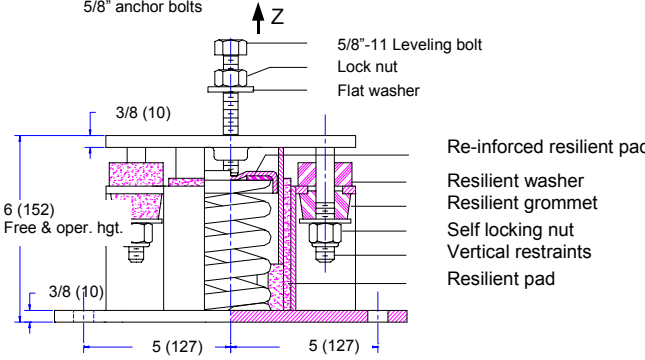
11 Cross Avenue
South Amboy, NJ 08879
Tel: (732)721-6200 Fax: (732)721-5005
Email: acemount@att.net
Website: www.acemount.com

DIMENSIONS & LOAD CAPACITIES (631, 632)

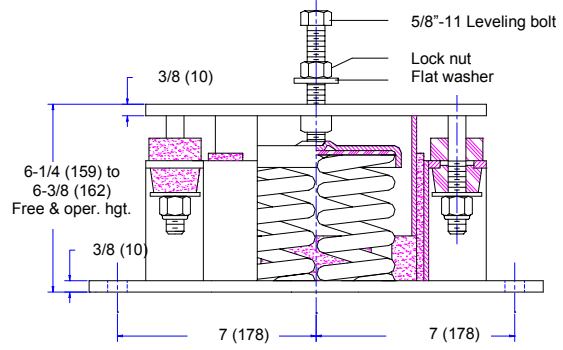
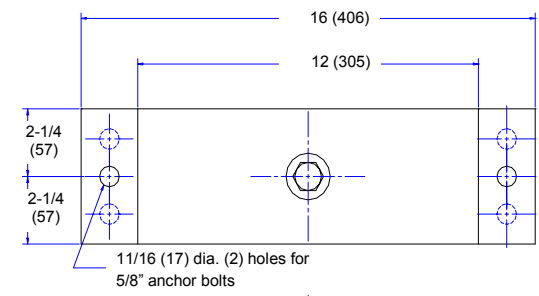
83A-170-Q-2



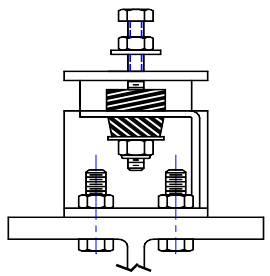
Optional (4)-11/16 dia. holes for W-beam supports



Type "631"



Type "632"

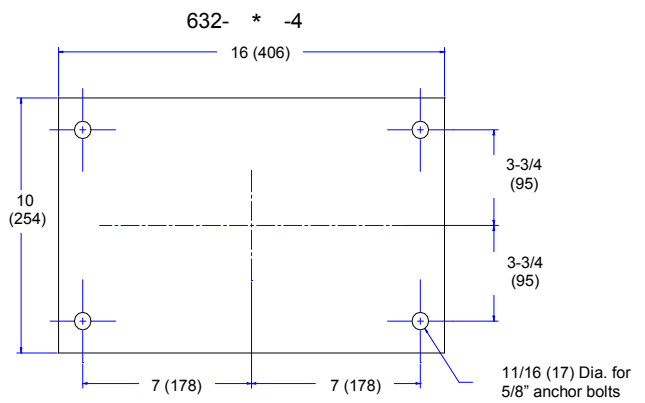
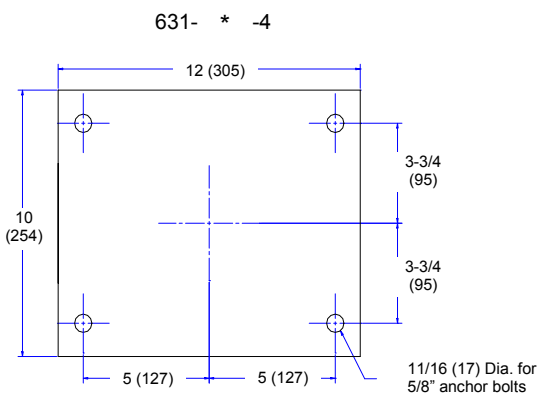


Installation of W-beam supports

| Size | Color of spring | 631 | | 632 | | Defl. inches |
|------|-----------------|-------------|----------------|-------------|----------------|--------------|
| | | Rate lbs/in | Max. load lbs. | Rate lbs/in | Max. load lbs. | |
| A | Gray | 100 | 150 | 200 | 300 | 1.5 |
| B | Tan | 200 | 260 | 400 | 520 | 1.3 |
| C | Yellow | 335 | 435 | 670 | 870 | 1.3 |
| D | Green | 500 | 550 | 1000 | 1100 | 1.1 |
| E | Red | 780 | 780 | 1560 | 1560 | 1.0 |
| F | Silver | 1070 | 1070 | 2140 | 2140 | 1.0 |
| G | Brown | 1400 | 1400 | 2800 | 2800 | 1.0 |
| H | Black | 2000 | 1800 | 3600 | 3600 | 1.0 |
| K | Blk & Yel | 2780 | 2500 | 5000 | 5000 | 1.0 |

Seismic Zone 4 Base Plate - California Applications

(for concrete foundation only, not required for steel support or fuel-tank top installations.)



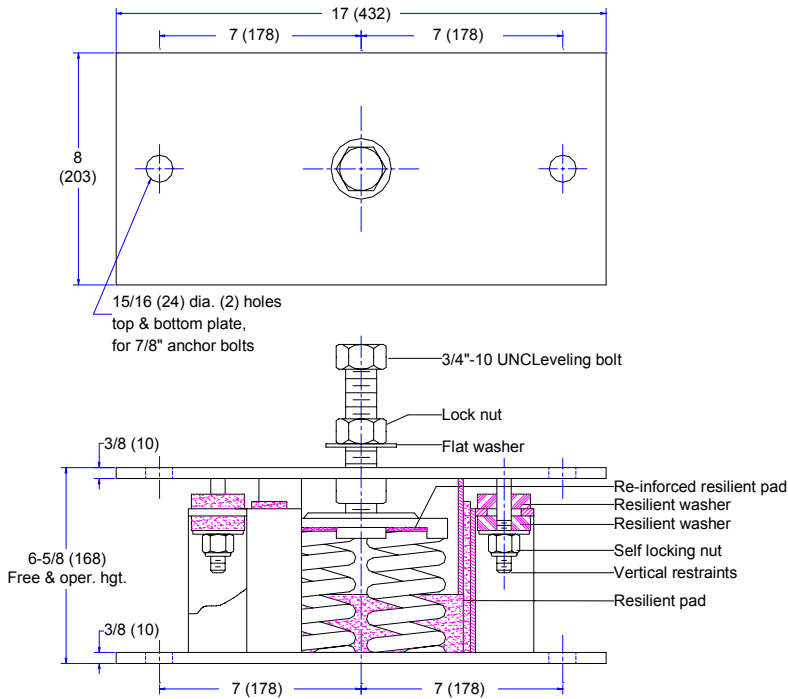
Note: * Spring size A through K.

ACE MOUNTINGS CO., INC.

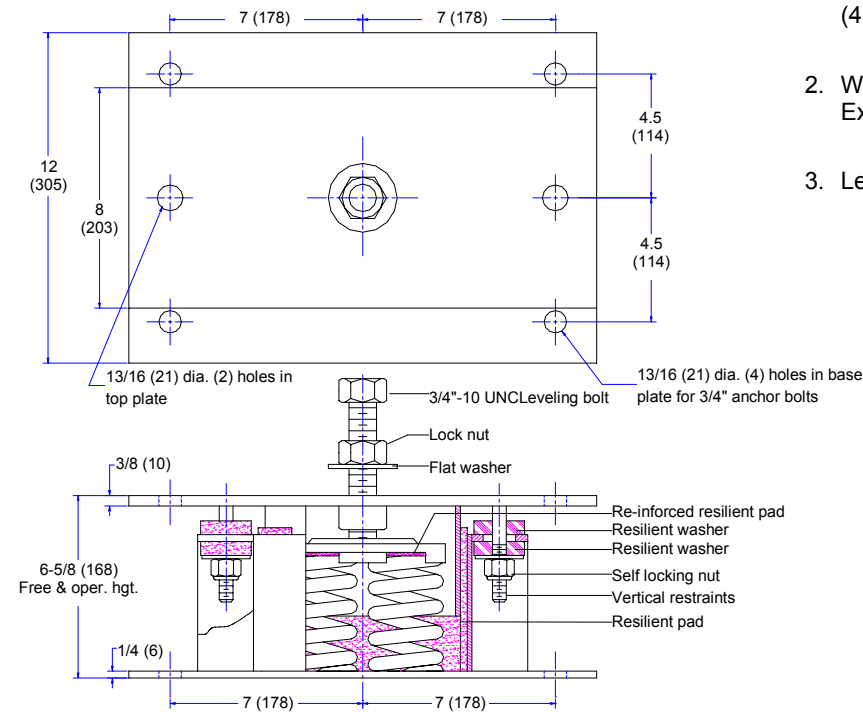
11 Cross Avenue
 South Amboy, NJ 08879
 Tel: (732)721-6200 Fax: (732)721-5005
 Email: acemount@att.net
 Website: www.acemount.com

DIMENSIONS & LOAD CAPACITIES (634, 634-4)

83A-170-Q-3



634



634-*4

| Type | Color of Spring | Spring Rate lbs/ in | Max. Load in Lbs | Defl. in Inches |
|------|-----------------|---------------------|------------------|-----------------|
| A | Gray | 400 | 600 | 1.5 |
| B | Tan | 800 | 1040 | 1.3 |
| C | Yellow | 1340 | 1740 | 1.3 |
| D | Green | 2000 | 2200 | 1.1 |
| E | Red | 3120 | 3120 | 1.0 |
| F | Silver | 4280 | 4280 | 1.0 |
| G | Brown | 5600 | 5600 | 1.0 |
| H | Black | 7200 | 7200 | 1.0 |
| K | Blk & yel | 10000 | 10000 | 1.0 |

Note:

1. For seismic zone 4, concrete slab installation, (4)-hole base plate is required.
2. Where "*" is the spring size A thru K.
Example: 634-K4
3. Leveling bolt is also available in 1" & 7/8" dia.

ACE MOUNTINGS CO., INC.

11 Cross Avenue
 South Amboy, NJ 08879
 Tel: (732)721-6200 Fax: (732)721-5005
 Email: acemount@att.net
 Website: www.acemount.com