



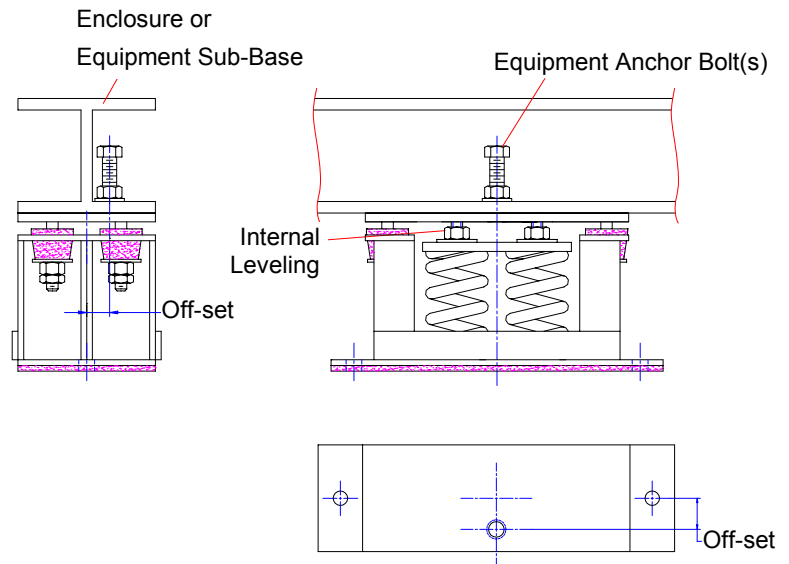
# Installation Arrangement Guide

## for Spring Isolators and Structural Steel Bases

CATALOG NO. 2KA-1347-A

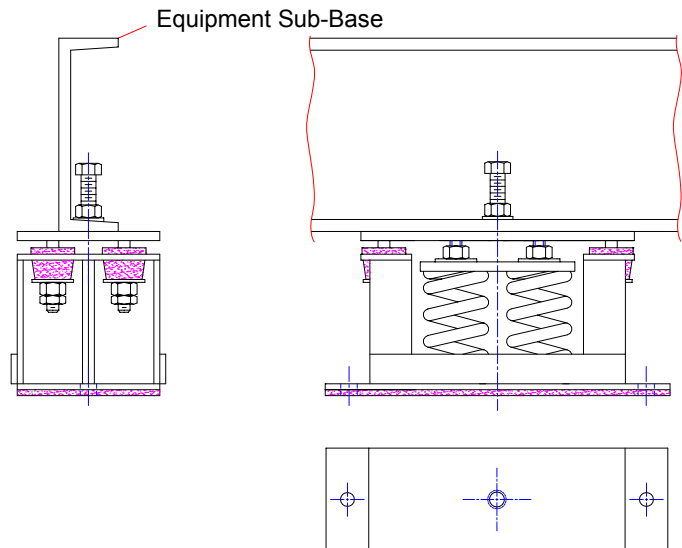
### A. "W" Shape Base

Off-set for equipment anchor bolt is required for centered load on spring isolator.



### B. "C" Shape Base

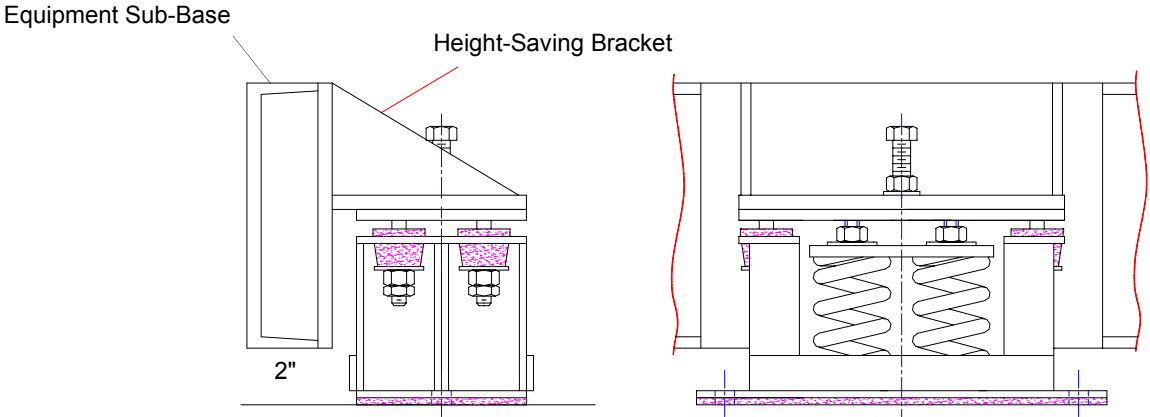
No off-set for equipment anchor bolt, internal or external leveling can be provided for spring isolator.



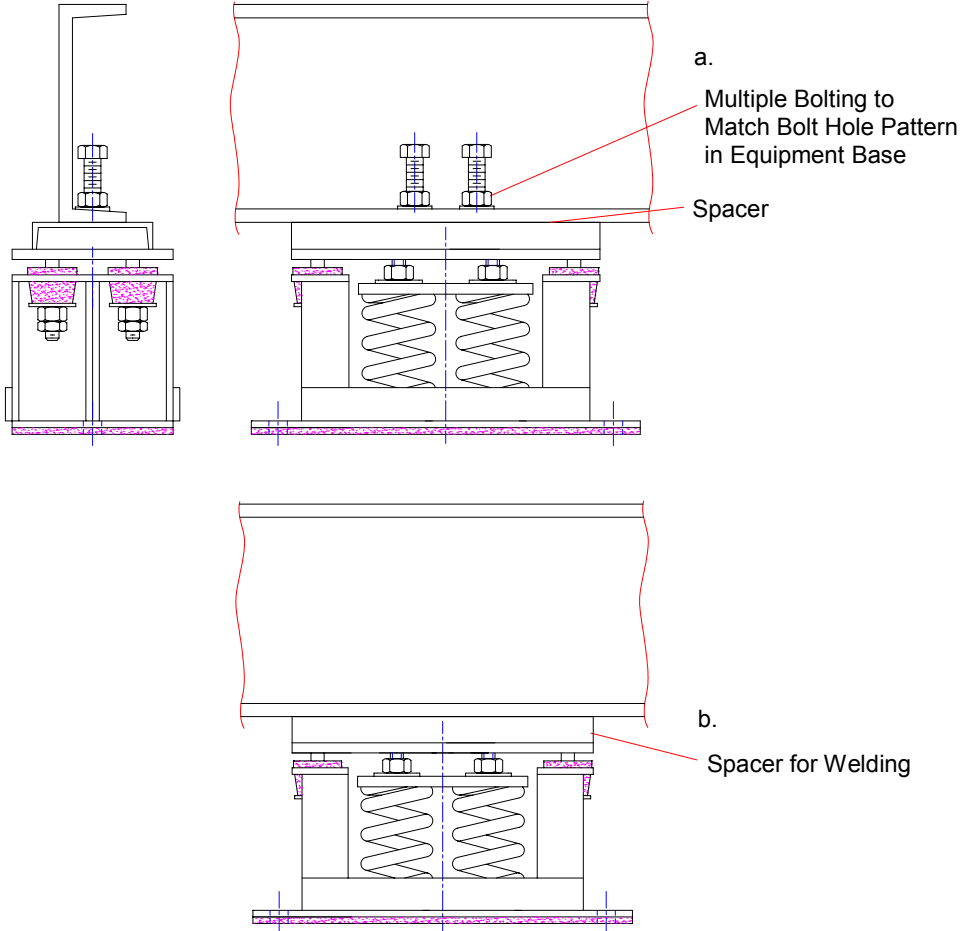
# ACE MOUNTINGS CO., INC.

11 Cross Avenue  
 South Amboy, NJ 08879  
 Tel: (732)721-6200 Fax: (732)721-5005  
 Email: [acemount@worldnet.att.net](mailto:acemount@worldnet.att.net)  
 Website: [www.acemount.com](http://www.acemount.com)

### C. Height-Saving Bracket



### D. Custom Mounting Arrangement



**ACE MOUNTINGS CO., INC.**

11 Cross Avenue  
South Amboy, NJ 08879  
Tel: (732)721-6200 Fax: (732)721-5005  
Email: [acemount@worldnet.att.net](mailto:acemount@worldnet.att.net)  
Website: [www.acemount.com](http://www.acemount.com)